

The TRS-5100 Refraction System

The TRS-5100 replaces the standard refractor and allows the doctor to control the refraction process through the keypad. With the TRS, the doctor can remain comfortably seated throughout the entire exam, eliminating the repetitive stress injuries. The TRS makes the doctor's life easier and gives the patient a faster exam. Also, the doctor can pre-program the entire refraction process to increase exam efficiency.

FEATURES

- Color touch screen
- Improved test and target design
- Intelligent cross cylinder
- Flash memory
- Multiple near tests
- Tilt screen for near testing
- Near reading card lights built-in
- One touch toggle for "Quick Refract" sequence



Marco communicates with most EMR companies. Call for details.

MARCO

THE LEADER IN VISION DIAGNOSTICS®

TRS-5100 Refraction System Specifications

Measuring Range

Sphere	-29.00 to +26.75D (0.12D / 0.25D / 1D / 2D / 3D steps)
Cylinder	0 to ±8.75 D (0.25D / 1D / 2D / 3D steps)
Axis	0 to 180° (1° / 5° / 15° steps)
PD	48 to 80mm (far vision) 50 to 74mm (near vision) (0.5 / 1mm steps) 54 to 80mm (Far PD at which both batteries can converge)
Rotary Prism	0 to 20D (0.1 / 0.5 / 2D increments) 0 – 20D (0.5D, 1D, 2D steps)
Auxiliary Lenses	Occluder, Polarizing Lenses, Pin Hole (1mm), 10 base-in prism, Red Maddox Horizontal (right eye), 6 base-up prism, Red Maddox Vertical (left eye), Cross mark for P.D., Red Lens (right eye), .50 fixed cross cylinder, Green Lens (left eye), Retinoscopic Lens, (+1.5D, +2.0D)
Refraction Distance for Near Vision	350 to 700mm (50mm increments)
Visual Field	40° (VD = 12mm) 39° (VD = 13.75mm)
Forehead Rest Adjustment	15mm
Vertex Distance	12-20mm (12, 13.75, 16, 18, 20mm)

General Information

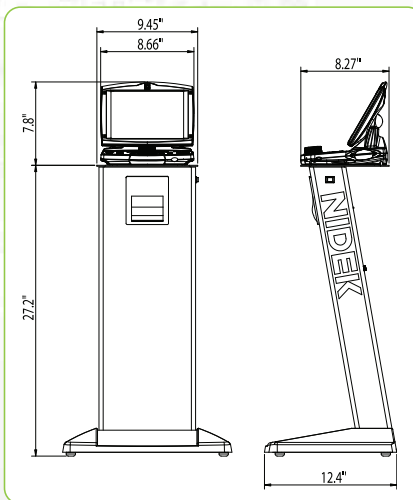
Horizontal Level Adjustment	±2.5°
Display	8.4-inch color LCD with touch screen
Power Supply	AC 100 / 120 / 230V 50 / 60Hz
Power Consumption	120 VA

Dimensions & Weight

W x D x H

Main body	15.94 x 4.0 x 10.86" / 12.8" with bracket / 7.7 lbs.
Control box	8.66 x 8.1 x 7.87" / 4.2 lbs.
Relay box	7.63 x 8.93 x 2.83" / 8.8 lbs.
Printer	4.0 x 3.38 x 4.76" / 0.66 lbs.
RT Arm	Electromagnetic lock, fully moveable up/down and back/forth

The RT-5100 (TRS-5100) is manufactured by Nidek.



```

ID :
NAME: M/F
JAN/6/2006 1:39 PM
WD=40cm

--<R>--<L>
FAR
  30 60
--<R>--<L>
FAR
+ 0.25 SPH - 0.25
- 0.75 CYL - 1.25
  159 AXS 19
< 25> UA < 30>
PD
  62.0
--<R>--<L>
FAR
+ 1.25 SPH + 0.25
- 0.75 CYL - 1.00
  158 AXS 9
--<R>--<SUBJ>--<L>
FAR
+ 1.25 SPH + 0.25
- 0.75 CYL - 1.00
  158 AXS 9
+ 1.25 ADD + 1.25
  UA
< 15> < 15> < 20>
PD
  60.0
--<R>--<FINAL>--<L>
FAR
+ 1.00 SPH + 0.25
- 0.75 CYL - 1.00
  160 AXS 10
+ 1.25 ADD + 1.25
  UA
< 15> < 15> < 20>
NEAR
+ 2.25 SPH + 1.50
- 0.75 CYL - 1.00
  160 AXS 10
  UA
< 20> < 20> < 20>
--<R>--<KM>--<L>
7.85 R1 7.81
43.00 43.25
7.68 R2 7.55
44.00 44.75
  171 AXS 180

Test time 3:17

NIDEK RT-5100
    
```

Measurement values are printed out for easy evaluation.

```

Phoria BO 2.50 PRSM BO 2.50
        B 0.00 B 0.00
Divergence Div 5.00/ 6.00/ 4.00
            Conv 8.00/13.00/10.00
NEAR
+ 2.50 SPH + 1.50
- 0.75 CYL - 1.00
  158 AXS 9
  UA
< 20> < 20> < 20>
Near Acuties BI 1.50 PRSM BI 1.50
             B 0.00 B 0.00
Near Phoria
Near Point < NPC >
Convergence 10cm 8.0MA 48.0prism
Near Point < NPA >
of Accommodation BIN: 20cm 3.75D
Negative Relative < NRA >
Accommodation BIN: +2.25/ -
Positive Relative < PRA >
Accommodation BIN: -2.50/ -

Fusion Check :
4(Fusion)
Stereo Check : 1'
Aniseikonia(U) : OK

NIDEK RT-5100
    
```

Additional information can be printed.

LOT2000 BR-RT-5100

THE LEADER IN VISION DIAGNOSTICS®

